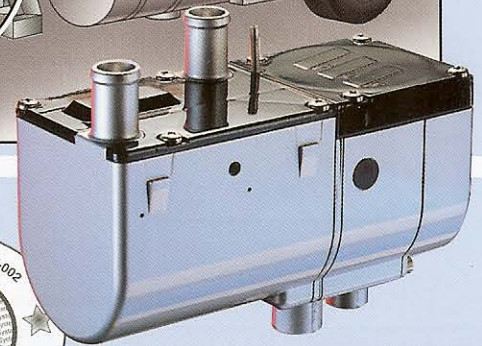
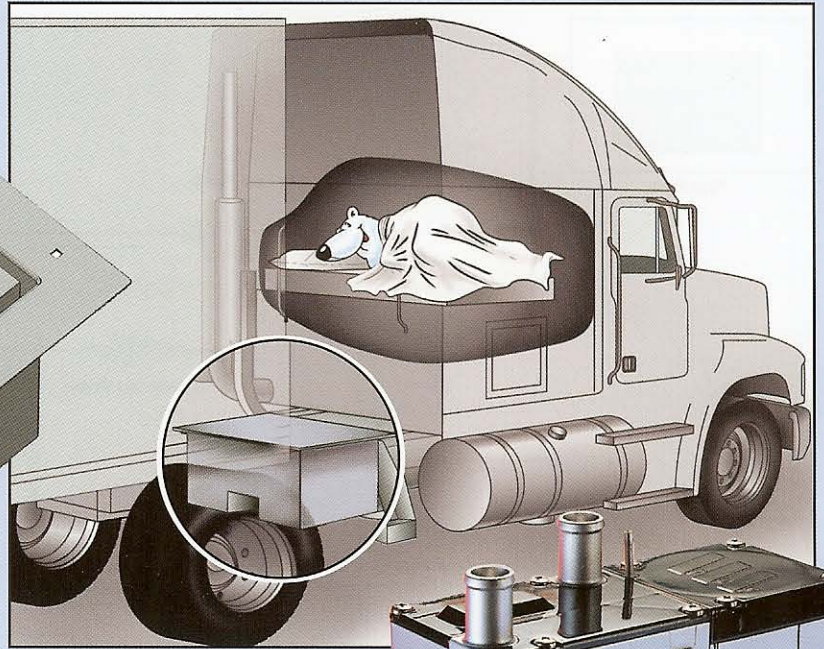
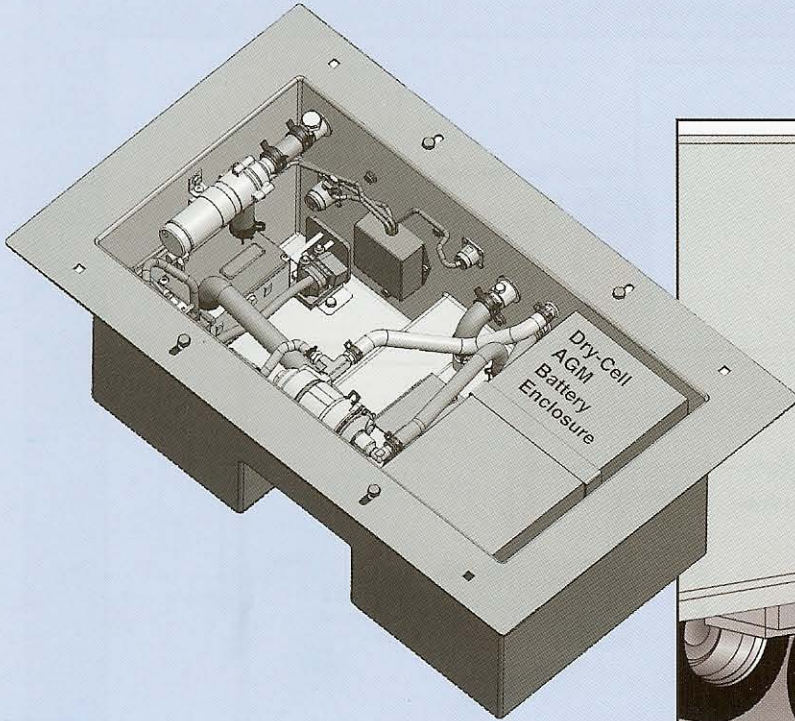


HYbernator... in frame

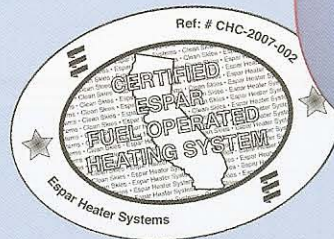
Hydronic 5

... complete heating system from Espar



Espar of Michigan
9675 Harrison Suite 102
Romulus, MI 48174
Toll Free 800-837-3900

- ❗ WARMS BUNK
- ❗ WARMS ENGINE
- ❗ WARMS FUEL SYSTEM
- ❗ INSTANT DEFROST
- ❗ CARB CERTIFIED
- ❗ REDUCES IDLING
- ❗ SAVES MONEY



www.espar.com

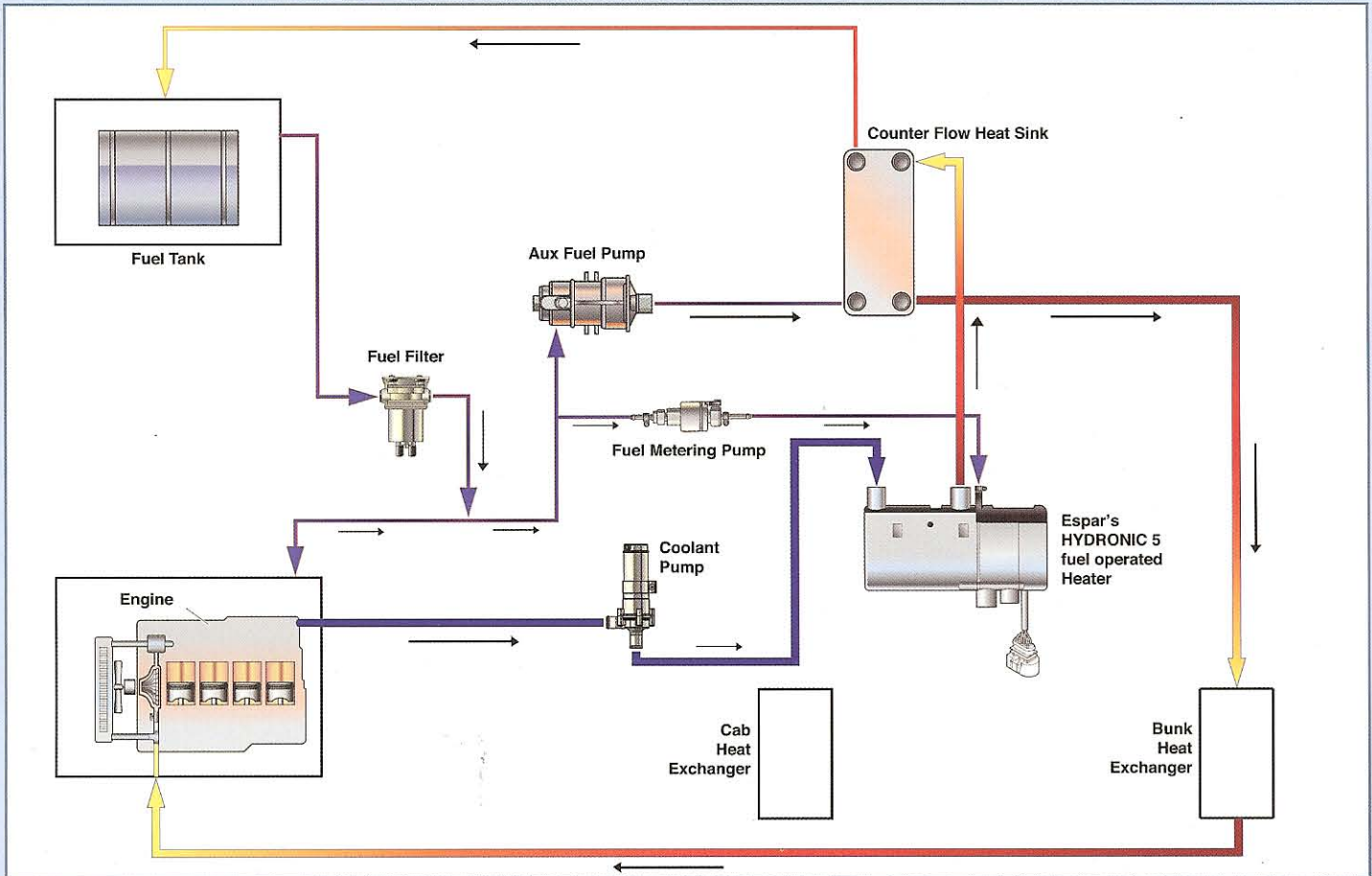
Espar Heater Systems

HYbernator...in frame

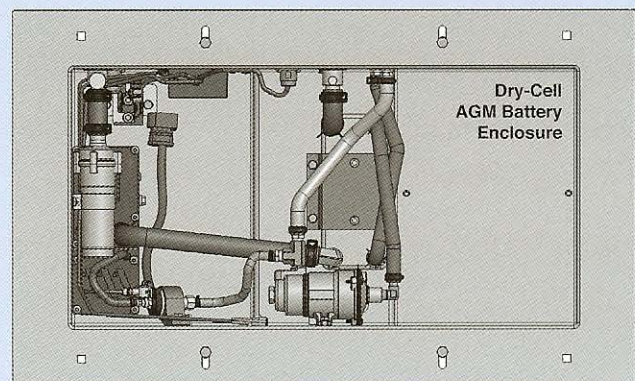


Espar Heater Systems
 6099A Vipond Drive
 Mississauga, Ontario
 L5T 2B2, Canada
 905-670-0960
 800-387-4800
 905-670-0907 fax
 inquiries@espar.com
 www.espar.com

Espar's Hybernator in frame system enables installation of our Hybernator between the frame rails or without the drilling of frame components. This dramatically increases affordability by reducing installation time and complexity. The system still provides engine-off heat to the cab, the engine, and the fuel system using the Espar Hydronic 5 coolant heater. Drivers stay warm and safe and are assured quick engine starts when it's time to get back on the road. This system meets every demand of Fleets and Owner Operators across North America. A number of different operating switches exist to meet individual demands.



| | |
|-----------------------------------|------------------|
| Hydronic 5 specifications | 12/24V |
| Heating Output - BTU/hr | 8,200 - 17,000 |
| Electrical Consumption - Amps | 1.9-4.2/.95-2.1 |
| Fuel Consumption - gal/h | 0.08 - 0.16 |
| Weight - lbs | 6.4 |
| Dimensions - inches (l x w x h) | 8.6 x 3.5 x 6.2 |
| Hybernator in frame specs. | |
| Weight - lbs | 179 |
| Dimensions - inches (l x w x h) | 26 x 13.5 x 11.8 |



a member of the Eberspächer group of companies